

LONKING

Efficiency Rules the Future

CDM860 WHEEL LOADER

Powerful Weichai Engine
Heavy Load Driving System
Pilot Control System
Automatic Leveling

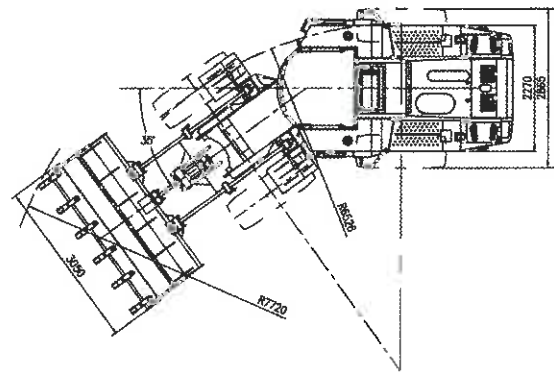
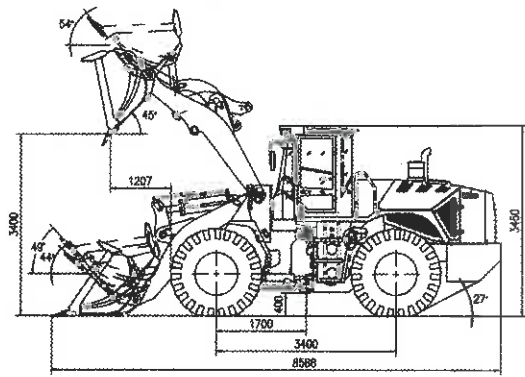


CDM

Load Right
Load More *Series*

**30,000 UNITS SOLD
WORLDWIDE IN 2008**

■ RATED POWER:	175kw/2200rpm
■ BUCKET CAPACITY:	3.5m ³
■ RATED PAYLOAD:	6000kg
■ OPERATING WEIGHT:	21500kg



Overall Data

Bucket Capacity (m ³)	3.5
Rated Payload(kg)	6000
Operating Weight(kg)	21500±200
Traction Force(kN)	172±3
Breakout Force(kN)	200±3
Travel speeds (km/h):	

	I	II	III	IV
Forward	6.4	11.1	17.4	29.2
Reverse	7.2	12.9	20.8	31.1

Engine WEICHAI WD10G240E11

Rated Power(kw/rpm)	175/2200
Peak Torque(Nm/rpm)	920/1500
Starting Voltage(V)	24

Drive Train

Torque Converter	Single-stage, Single-turbine, 3-elements
Torque Ratio	2.56
Transmission	Planetary Powershift Transmission
Gear	4F/4R
Pressure of Transmission(MPa)	1.7~1.9
Main Reducer	Spiral bevel, 1-stage Reduction
Final Reducer	Planetary Reduction
Tire	23.5-25 L-3 20PR

Brake System

Service Brake	Duo Circuit Caliper, Dry Brake
Setting Pressure (MPa)	0.78
Parking Brake	Air Actuated Caliper Brake
Emergency Brake	Air Actuated Caliper Brake

Standard	Optional
Automatic Leveling	Coal Bucket (M)
Lonking Transmission	
Lonking Axle	
Standard Bucket	
Pilot Control	

Steering System

Type	Hydraulic Load Sensing
Cylinders-bore×Stroke(mm)	2-100×324
Steering Pump	Gear Pump
System Pressure(MPa)	16
Flowrate(L/min/RPM)	176/2200
Steering Angle	±35°

Hydraulic System

Lift Cylinders-bore×Stroke(mm)	2-180×836
Tilt Cylinder-bore×Stroke(mm)	1-220×559
Model of Implement Pump	Gear Pump
Flowrate(L/min/RPM)	275/2200
System Pressure(MPa)	16
Pilot Control System Pressure(MPa)	2.5

Hydraulic cycle time, rated load in bucket(in second):

Raise(Loaded)	Dump	Lower(Empty)	Total
6.3	1.2	4.3	11.8

Electrical System

System Voltage(V)	24
Battery (2 in series)(Ah)	120
Lamp Voltage(V)	24

Service Refill Capacity

Fuel Tank(L)	285
Hydraulic Tank(L)	285
Crankshaft(L)	20
Transmission(L)	45
Front Axle(L) /Rear Axle(L)	28/28

Air Conditioning System

Heating Capacity(W)	5800 (±10%)
Cooling Capacity(W)	4500 (±10%)

INTERNATIONAL SALES COMPANY LONKING HOLDINGS LIMITED

Add:26 Minyi Road, Xinqiao, Songjiang Industrial Zone, Shanghai

Tel: +86-21-37602205

Fax: +86-21-57687966-8436

http://www.lonking.cn

P.C:201612

E-mail: export@lonking.cn

trade@lonking.cn

For more information on Lonking CDM products, please visit

www.lonking.cn



Sole Agent And Distributor
SUNWAY ENTERPRISE (1988) SDN. BHD.
(62711-M)
Lot 656, Jalan Subang 1, Off Persiaran Subang,
47600 Subang Jaya, Selangor Darul Ehsan, Malaysia.
Tel: 603-5633 1909 Service hotline: 603-5632 9349
Fax: 603-5633 1908