

LONKING

Efficiency Rules the Future

CDM843 WHEEL LOADER

Pilot Control System
Powerful Weichai Engine
Hydraulic Load Sensing Control System
Anti-abrasion Integral Cutting Edge
Automatic Leveling

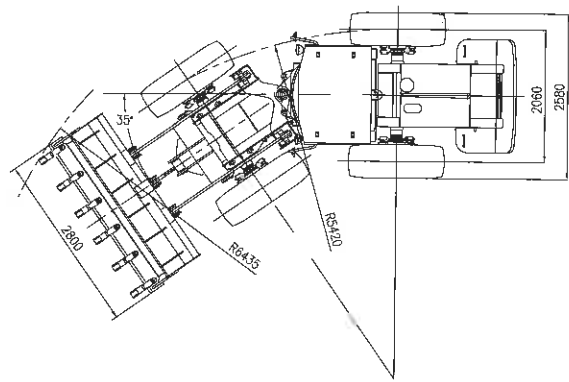
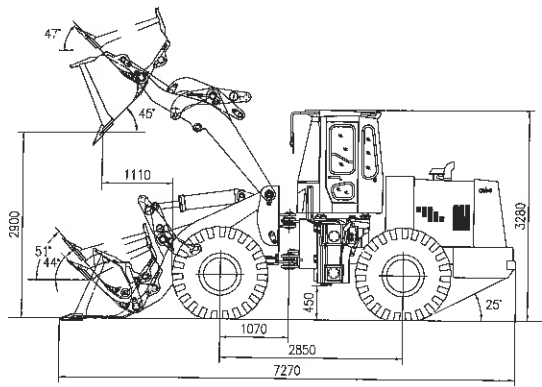


CDM

Load Right
Load More *Service*

**30,000 UNITS SOLD
WORLDWIDE IN 2008**

- RATED POWER: 120/2200kw/rpm
- BUCKET CAPACITY: 2.3m²
- RATED PAYLOAD: 4000kg
- OPERATING WEIGHT: 13000kg



Overall Data

Bucket Capacity (m ³)	2.3
Rated Payload(kg)	4000
Operating Weight(kg)	13000±200
Traction Force(kN)	120±3
Breakout Force(kN)	115±3
Travel speeds (km/h):	

	I	II	III	IV
Forward	11.5	36.0		
Reverse	16.0			

Engine WEICHAİ TD226B-6G

Rated Power(kw/rpm)	125/2200
Peak Torque(Nm/rpm)	920/1500
Starting Voltage(V)	24

Drive Train

Torque Converter	Single-stage, Duo-turbine, 4-elements
Torque Ratio	4.0
Transmission	Planetary Powershift Transmission
Gear	2F/1R
Pressure of Transmission(MPa)	1.2~1.5
Main Reducer	Spiral bevel, 1-stage Reduction
Final Reducer	Planetary Reduction
Tire	20.5-25 L-3 16PR

Brake System

Service Brake	Single Circuit Caliper, Dry Brake
Setting Pressure (MPa)	0.78
Parking Brake	Flexible Shaft Controlled Caliper

Standard Optional

Lonking Transmission	
Lonking Axle	
Standard Bucket	
Pilot Control	

Steering System

Type	Hydraulic Load Sensing
Cylinders-bore×Stroke(mm)	2-90×340
Steering Pump	Gear Pump
System Pressure(MPa)	16
Flowrate(L/min/RPM)	138/2200
Steering Angle	±35°

Hydraulic System

Lift Cylinders-bore×Stroke(mm)	2-125×769
Tilt Cylinder-bore×Stroke(mm)	1-160×495
Model of Implement Pump	Gear Pump
Flowrate(L/min/RPM)	110/2200
System Pressure(MPa)	16
Pilot Control System Pressure (MPa)	2.5

Hydraulic cycle time, rated load in bucket(in second):

Raise(Loaded)	Dump	Lower(Empty)	Total
6.0	1.2	4.3	11.5

Electrical System

System Voltage(V)	24
Battery (2 in series)(Ah)	120
Lamp Voltage(V)	24

Service Refill Capacity

Fuel Tank(L)	240
Hydraulic Tank(L)	240
Crankshaft(L)	20
Transmission(L)	45
Front Axle(L) /Rear Axle(L)	23/23

Air Conditioning System

Heating Capacity(W)	5800 (±10%)
Cooling Capacity(W)	4500 (±10%)

INTERNATIONAL SALES COMPANY LONKING HOLDINGS LIMITED

Sole Agent And Distributor
SUNWAY ENTERPRISE (1988) SDN. BHD.
(62711-M)
Lot 656, Jalan Subang 1, Off Persiaran Subang,
47600 Subang Jaya, Selangor Darul Ehsan, Malaysia.
Tel: 603-5633 1909 Service hotline: 603-5632 9349
Fax: 603-5633 1908

Shanghai
436

For more information on Lonking CDM products, please visit

www.lonking.cn

Specifications and design are subject to change without prior notice.

Machines shown may not include optional accessories.

Lonking, Lonking CDM Series and their respective logos,
as well as corporate identity in this leaflet are trademarks of Lonking Holdings Ltd.,
and may not be used without written permission.

Printed 01/2010 China