

# LONKING

Efficiency Rules the Future

## CDM833 WHEEL LOADER

Hydraulic Steering System  
Powerful Weichai Engine  
Anti-abrasion Integral Cutting Edge

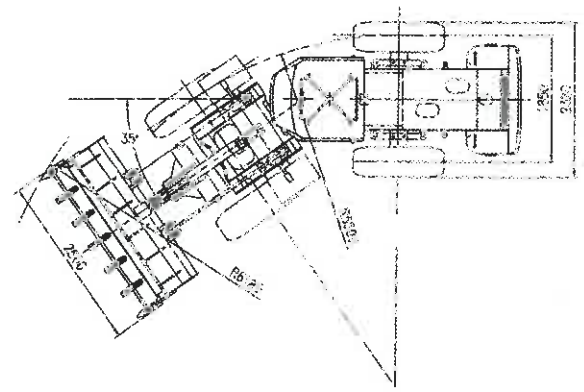
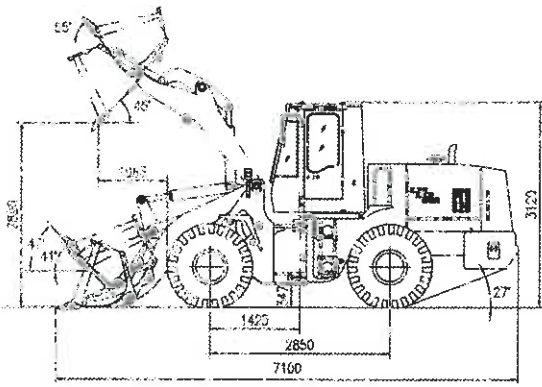


# CDM

Load Right  
Load More *Series*

**30,000 UNITS SOLD  
WORLDWIDE IN 2008**

■ RATED POWER:	92kw/2200 rpm
■ BUCKET CAPACITY:	1.7m <sup>3</sup>
■ RATED PAYLOAD:	3000kg
■ OPERATING WEIGHT:	10300kg



#### Overall Data

Bucket Capacity (m <sup>3</sup> )	1.7
Rated Payload(kg)	3000
Operating Weight(kg)	10300±300
Traction Force(kN)	97±3
Breakout Force(kN)	100±3
<b>Travel speeds (km/h):</b>	

	I	II	III
Forward	6.5	12.0	32.0
Reverse	6.8	12.5	33.5

#### Engine

WEICHAI TD226B

Rated Power(kw/rpm)	92/2200
Peak Torque(Nm/rpm)	500/1400~1600
Starting Voltage(V)	24

#### Drive Train

Torque Converter	Single-stage, Single-turbine, 3-elements
Torque Ratio	3.5
Transmission	Countershaft powershift Transmission
Gear	3F/3R
Pressure of Transmission(MPa)	1.2~1.5
Main Reducer	Spiral bevel, 1-stage Reduction
Final Reducer	Planetary Reduction
Tire	17.5-25 L-3 12PR

#### Brake System

Service Brake	Single Circuit Caliper, Dry Brake
Setting Pressure (MPa)	0.78
Parking Brake	Flexible Shaft Controlled Caliper

#### Standard

#### Optional

Lonking Transmission	Log Fork(J)
Lonking Axle	Coal Bucket (M)
Standard Bucket	High Dump (G)
	Quick Change(H)

#### Steering System

Type	Hydraulic Load Sensing
Cylinders-Bore×Stroke(mm)	2-80×315
Steering Pump	Gear Pump
System Pressure(MPa)	14
Flowrate(L/min/rpm)	88/2200
Steering Angle	±35°

#### Hydraulic System

Lift Cylinders-Bore×Stroke(mm)	2-125×784
Tilt Cylinder-Bore×Stroke(mm)	1-140×553
Model of Implement Pump	Gear Pump
Flowrate(L/min/rpm)	176/2200
System Pressure(MPa)	16

#### Hydraulic Cycle Time, Rated Load In Bucket(In Second):

Raise(Loaded)	Dump	Lower(Empty)	Total
5.5	1.3	3.7	10.5

#### Electrical System:

System Voltage(V)	24
Battery (2 in series)(Ah)	105
Lamp Voltage(V)	24

#### Service Refill Capacity

Fuel Tank(L)	200
Hydraulic Tank(L)	200
Crankshaft(L)	17
Transmission(L)	36
Front Axle(L) /Rear Axle(L)	13/13

#### Air Conditioning System

Heating Capacity(W)	5800 (±10%)
Cooling Capacity(W)	4500 (±10%)

## INTERNATIONAL SALES COMPANY LONKING HOLDINGS LIMITED

Add:26 Minyi Road,Xinqiao,Songjiang Industrial Zone,Shanghai

Tel:+86-21-37602205

Fax:+86-21-57687966-8436

http://www.lonking.cn

P.C:201612

E-mail: export@lonking.cn

trade@lonking.cn

For more information on Lonking CDM products, please visit

[www.lonking.cn](http://www.lonking.cn)



Sole Agent And Distributor

**SUNWAY ENTERPRISE (1988) SDN. BHD.**

(62711-M)

Lot 656, Jalan Subang 1, Off Persiaran Subang,  
47600 Subang Jaya, Selangor Darul Ehsan, Malaysia.

Tel: 603-5633 1909 Service hotline: 603-5632 9349

Fax: 603-5633 1908