

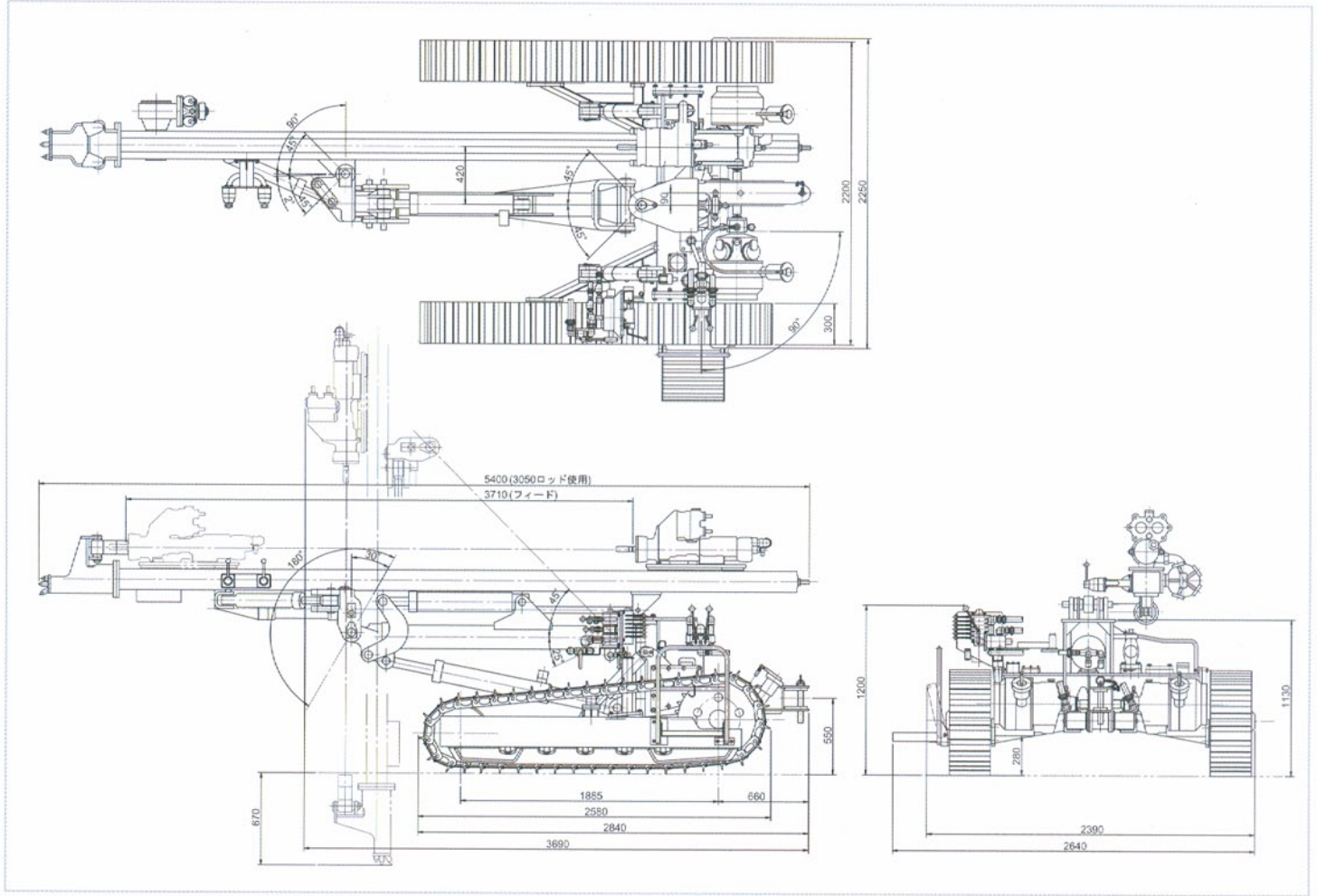
# Pneumatic Crawler Drill

## PCR200





## Dimensions



## Specifications

### Dimensions & Weight

Weight	Approx. 5000kg
Overall length	5400mm
Feed travel	3710mm
Track length	2580mm
Length of ground contact	1885mm
Tow hitch height	550mm
Overall width	2390mm
Track width	2200mm
Width of grousers	300mm
Overall height ( Boom lowered )	1250mm
Ground clearance	280mm

### Crawler traction

Ground pressure	0.45kg/cm <sup>2</sup>
Traveling speed	3.2km/h
( towing a compressor on level ground )	
Gradeability	22°
Oscillating angle	15°
Traction air motor (Model MR13,piston-type)	12HP x 2

### Guide Shell

Max. horizontal drill height	3050mm
Guide slide travel	1200mm
Air feed motor (Model MC2)	5HP
Steel change	3050mm

### Hydraulic Units

Boom length	2000mm
Boom lift	45° up, 25° down
Boom swing	45° right, 45° left
Guide swing	50° right, 50° left

( 95° right, 15° left with pin change )

Guide tilt	180° without pin change
Power pump (Model MP12)	5HP

### Drifter ( Model PD200 )

Weight without shank rod	180kg
Length without shank rod	1020mm
Cylinder diameter	130mm
Piston stroke	80mm
Air consumption	Approx. 16m <sup>3</sup> /min
Blows / min	Approx. 1600

Main air hose connection	50mm
--------------------------	------

